

CGS2535V/CGS2535TV

Commercial Quad 1 to 4 Clock Drivers/Industrial Quad 1 to 4 Clock Drivers

General Description

These Clock Generation and Support clock drivers are specifically designed for driving memory arrays requiring large fanouts while operating at high speeds.

The CGS2535 is a non-inverting 4 to 16 driver with CMOS I/O structures. The CGS2535 specification guarantees part-to-part skew variation.

Features

- Guaranteed:
 - 1.0 ns rise and fall times while driving 12 inches of 50Ω microstrip terminated with 25 pF

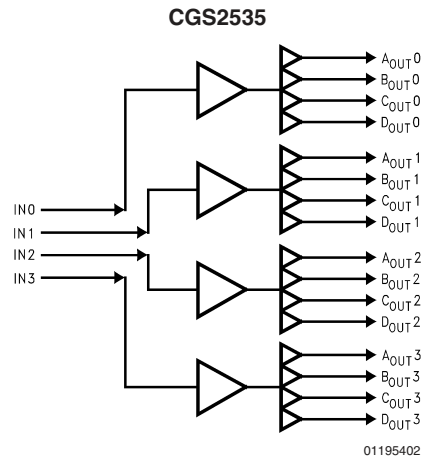
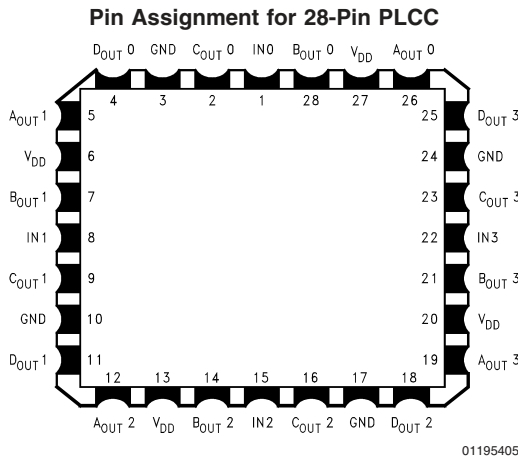
- 350 ps pin-to-pin skew (t_{OSLH} and t_{OSHL})
- 650 ps part-to-part variation on positive or negative transition @ 5V V_{CC}
- Operates with either 3.3V or 5.0V supply
- Inputs 5V tolerant with V_{CC} in 3.3V range
- Symmetric output current drive: 24 mA I_{OH}/I_{OL}
- Industrial temperature range $-40^{\circ}C$ to $+85^{\circ}C$
- Symmetric package orientation
- Large fanout for memory driving applications
- Guaranteed 2 kV ESD protection
- Implemented on National's ABT family process
- 28-pin PLCC for optimum skew performance

Ordering Information

Order Number	Package Number	Package Description
CGS2535V	V28A	28-Lead Molded Plastic Leaded Chip Carrier
CGS2535TV		

Device also available in Tape and Reel. Specify by appending suffix letter "X" to the order number.

Connection Diagrams



Truth Table

Input	Output
In (0-3)	ABCD Out (0-3)

Absolute Maximum Ratings (Note 1)

Supply Voltage (V_{CC})	7.0V
Input Voltage (V_I)	7.0V
Input Current	-30 mA
Current Applied to Output (High/Low)	Twice the Rated I_{OH}/I_{OL}
Operating Temp. Industrial grade	-40°C to +85°C
Comm. grade	0°C to +70°C
Storage Temperature Range	-65°C to +150°C
Airflow	Typical θ_{JA}
0 LFM	62°C/W
225 LFM	43°C/W
500 LFM	34°C/W
900 LFM	27°C/W

Recommended Operating Conditions

Supply Voltage	V_{CC} 4.75V to 5.25V V_{CC} 3.0V to 3.6V
Maximum Input Rise/Fall Time (0.8V to 2.0V)	5 ns
Free Air Operating Temperature	
Commercial	0°C to +70°C
Industrial	-40°C to +85°C

Note 1: The Absolute Maximum Ratings are those values beyond which the safety of the device cannot be guaranteed. The device should not be operated at these limits. The parametric values defined in the DC and AC Electrical Characteristics tables are not guaranteed at the absolute maximum ratings. The Recommended Operating Conditions will define the conditions for actual device operation.

DC Electrical Characteristics

Over recommended operating free air temperature range. All typical values are measured at $V_{CC} = 5V$, $T_A = 25^\circ C$.

Symbol	Parameter	Conditions	V_{CC} (V)	Min	Typ	Max	Units
V_{IH}	Input High Level Voltage		3.0	2.1			V
			4.5	3.15			
			5.5	3.85			
V_{IL}	Input Low Level Voltage		3.0			0.9	V
			4.5			1.35	
			5.5			1.65	
V_{IK}	Input Clamp Voltage	$I_I = -18$ mA	4.5			-1.2	V
V_{OH}	High Level Output Voltage	$I_{OH} = -50$ μA	3.0	2.9			V
			4.5	4.4			
			5.5	5.4			
		$I_{OH} = -24$ mA	3.0	2.46			V
			4.5	3.76			
			5.5	4.76			
V_{OL}	Low Level Output Voltage	$I_{OL} = 50$ μA	3.0			0.1	V
			4.5			0.1	
			5.5			0.1	
		$I_{OL} = 24$ mA	3.0			0.44	V
			4.5			0.44	
			5.5			0.44	
I_I	Input Current @ Max Input Voltage	$V_{IH} = 7V$	5.5			7	μA
		$V_{IH} = V_{CC}$	3.6			1	
I_{IH}	High Level Input Current	$V_{IH} = V_{CC}$	5.5			5	μA
I_{IL}	Low Level Input Current	$V_{IL} = 0V$	5.5	-5			μA
I_{OLD}	Minimum Dynamic Output Current (Note 2)	$V_{OLD} = 1.65V$ (max)	5.5	75			mA
		$V_{OLD} = 0.9V$ (max)	3.0 (Note 3)	36			
I_{OHD}	Minimum Dynamic Output Current (Note 2)	$V_{OHD} = 3.85V$ (min)	5.5	-75			mA
		$V_{OHD} = 2.1V$ (min)	3.0 (Note 3)	-25			
I_{CC}	Supply Current		3.6			75	μA
			5.5			235	
C_{IN}	Input Capacitance		5.0		5		pF

Note 2: Maximum test duration 2.0 ms, one output loaded at a time.

Note 3: At $V_{CC} = 3.3V$, $I_{OLD} = 55$ mA min; @ $V_{CC} = 3.6V$, $I_{OLD} = 64$ mA min

At $V_{CC} = 3.3V$, $I_{OHD} = -58$ mA min; @ $V_{CC} = 3.6V$, $I_{OHD} = -66$ mA min

AC Electrical Characteristics (Notes 4, 5, 6)Over recommended operating free air temperature specified. All typical values are measured at $V_{CC} = 5V$, $T_A = 25^\circ C$.

Symbol	Parameter	V_{CC} (V) (Note 11)	CGS2535						Units
			$T_A = +25^\circ C$ $C_L = 50 \text{ pF}, R_L = 500\Omega$			$T_A = -40^\circ C \text{ to } +85^\circ C$ (Note 7) $C_L = 50 \text{ pF}, R_L = 500\Omega$			
			Min	Typ	Max	Min	Typ	Max	
f_{max}	Frequency Maximum	3.0 5.0					100 125		MHz
t_{PLH}	Low-to-High Propagation Delay CK to O_n @ 1 MHz (Note 13)	3.3 5.0			4.5 3.5	2.5 2.0		4.5 3.5	ns
t_{PHL}	High-to-Low Propagation Delay CK to O_n @ 1 MHz (Note 13)	3.3 5.0			4.5 3.5	2.5 2.0		4.5 3.5	ns
t_{PLH}	Low-to-High Propagation Delay CK to O_n @ 66.67 MHz (Note 13) (Note 14)	3.3 5.0			5.0 4.5	2.5 2.0		5.0 4.5	ns
t_{PHL}	High-to-Low Propagation Delay CK to O_n @ 66.67 MHz (Note 13) (Note 14)	3.3 5.0			5.0 4.5	2.5 2.0		5.0 4.5	ns
t_{OSLH}	Maximum Skew Common Edge Output-to-Output Variation (Note 4) (Note 6)	3.3 5.0		150 150	350 350		300 300	350 350	ps
t_{OSHL}	Maximum Skew Common Edge Output-to-Output Variation (Note 4) (Note 6)	3.3 5.0		150 150	350 350		300 300	350 350	ps
t_{rise} , t_{fall}	Rise/Fall Time (from 0.8V/2.0V to 2.0V/0.8V) (Note 8)	3.3 5.0			3.5 3.0			3.5 3.0	ns
t_{rise} , t_{fall}	Rise/Fall Time (from 0.8V/2.0V to 2.0V/0.8V) (Note 9) (Note 14)	3.3 5.0			0.8 0.4			1.0 0.6	ns
t_{rise} , t_{fall}	Rise/Fall Time (from 0.8V/2.0V to 2.0V/0.8V) (Note 10) (Note 14)	3.3 5.0			1.0 0.7			1.0 0.9	ns
t_{High}	Pulse Width Duration High (Note 5) (Note 6) (Note 14)	3.3 5.0	4.0 4.0			4.0 4.0			ns
t_{Low}	Pulse Width Duration Low (Note 5) (Note 6) (Note 14)	3.3 5.0	4.0 4.0			4.0 4.0			ns
t_{PVLH}	Part-to-Part Variation of Low-to-High Transitions @ 1 MHz (Note 13)	3.3 5.0			650 650			1.0 650	ns ps
t_{PVHL}	Part-to-Part Variation of High-to-Low Transitions @ 1 MHz (Note 13)	3.3 5.0			650 650			1.0 650	ns ps
t_{PVLH}	Part-to-Part Variation of Low-to-High Transitions @ 66.67 MHz (Note 13) (Note 14)	3.3 5.0			1.0 1.0			1.0 1.0	ns
t_{PVHL}	Part-to-Part Variation of High-to-Low Transitions @ 66.67 MHz (Note 13) (Note 14)	3.3 5.0			1.0 1.0			1.0 1.0	ns

Note 4: Output-to-Output Skew is defined as the absolute value of the difference between the actual propagation delay for any outputs within the same packaged device and output bank. The specifications apply to any outputs switching in the same direction either LOW to HIGH (t_{OSLH}) or HIGH to LOW (t_{OSHL}).

Note 5: Time high is measured with outputs at 2.0V or above. Time low is measured with outputs at 0.8V or below. Input waveform characteristics for t_{High} , t_{Low} measurement: $f = 66.67 \text{ MHz}$, duty cycle = 50%.

AC Electrical Characteristics (Notes 4, 5, 6) (Continued)

Note 6: The input waveform has a rise and fall time transition time of 2.5 ns (10% to 90%).

Note 7: Industrial range (-40°C to +85°C) limits apply to the commercial temperature range (0°C to +70°C).

Note 8: These Rise and Fall times are measured with $C_L = 50 \text{ pF}$, $R_L = 500\Omega$ (see Figure 1).

Note 9: These Rise and Fall times are measured with $C_L = 25 \text{ pF}$, $R_L = 500\Omega$ (see Figure 1), and are guaranteed by design.

Note 10: These Rise and Fall times are measured driving 12 inches of 50Ω microstrip terminated with equivalent $C_L = 25 \text{ pF}$ (see Figure 2), and are guaranteed by design.

Note 11: Voltage Range 5.0 is $5.0\text{V} \pm 0.25\text{V}$, 3.3 is $3.3\text{V} \pm 0.3\text{V}$.

Note 12: For increased output drive, output pins may be connected together when the corresponding input pins are connected together.

Note 13: All 16 outputs switching simultaneously.

Note 14: Guaranteed by design.

Timing Information

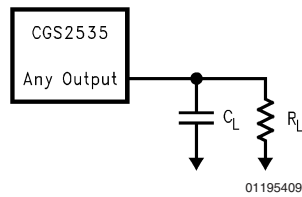
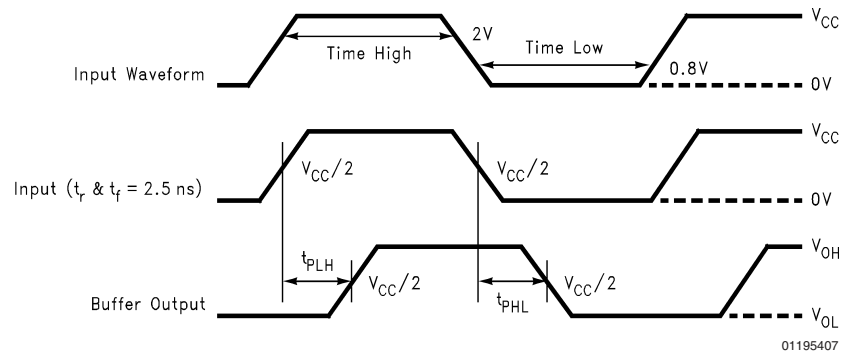


FIGURE 1. A.C. Load (Notes 8, 9)
 C_L = Total Load Including Probes

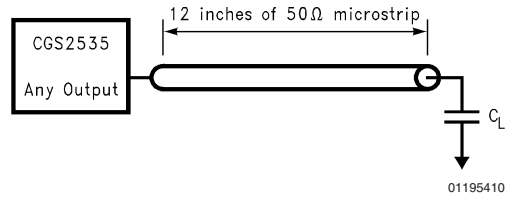


FIGURE 2. A.C. Load (Note 10)
 C_L = Total Load Including Probes

CGS2534/35/36/37

MEMORY ARRAY DRIVING

In order to minimize the total load on the address bus, quite often memory arrays are driven by buffers while having the inputs of the buffers tied together. Although this practice was feasible in the conventional memory designs, in today's high speed, large buswidth designs which require address fetching at higher speeds, this technique produces many undesired results such as cross-talk and over/undershoot.

CGS2534/35/36/37 Quad 1 to 4 clock drivers were designed specifically to address these application issues on high speed, large memory arrays systems.

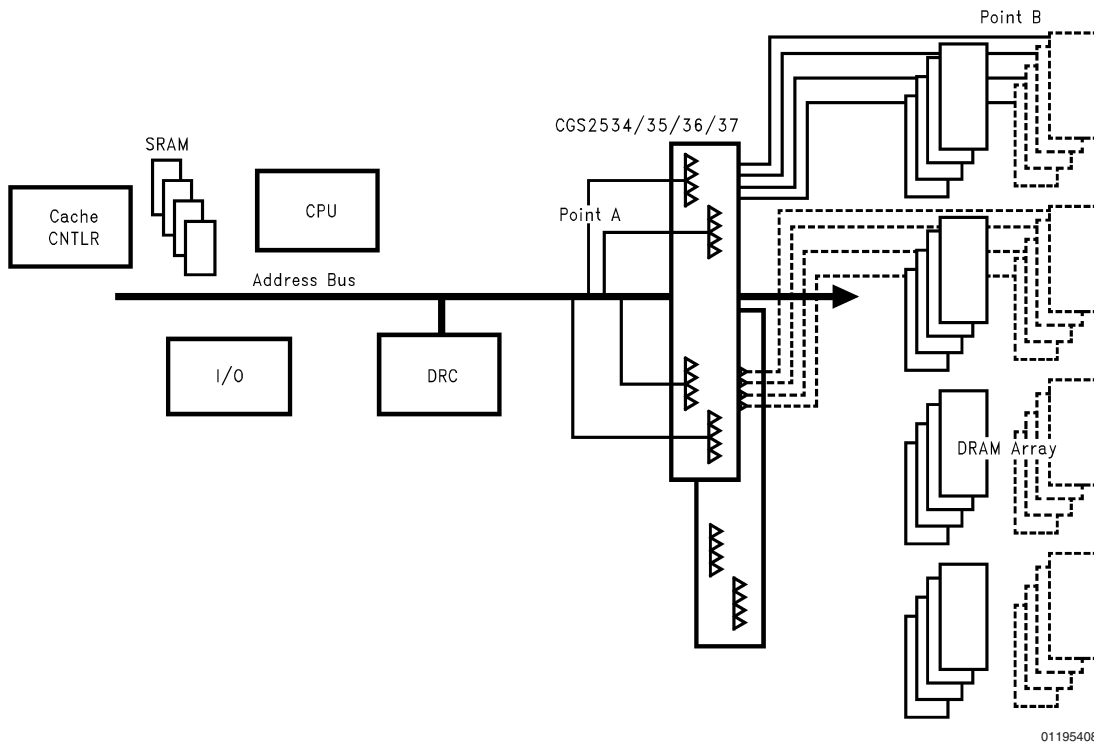
These drivers are optimized to drive large loads, with 3.5 ns propagation delays. These drivers produce less noise while reducing the total capacitive loading on the address bus by having only four inputs tied together (see the diagram below, point A). This helps to minimize the overshoot and undershoot by having only four outputs being switched simultaneously.

Also this larger fan-out helps to save board space since for every one of these drivers, two conventional buffers were typically being used.

Another feature associated with these clock drivers is a 350 ps pin-to-pin skew specification. The minimum skew specification allows high speed memory system designers to optimize the performance of their memory sub-system by operating at higher frequencies without having concerns about output-to-output (bank-to-bank) synchronization problems which are associated with driving high capacitive loads (Point B).

The diagram below depicts a "2534/35/36/37" a memory subsystem operating at high speed with large memory capacity. The address bus is common to both the memory and the CPU and I/Os.

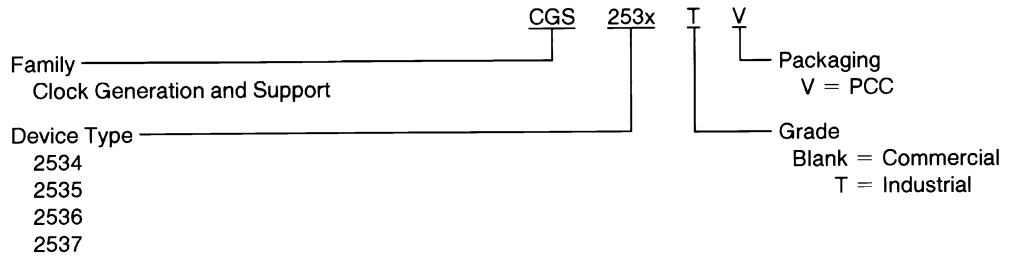
These drivers can operate beyond 125 MHz, and are also available in 3V–5V TTL/CMOS versions with large current drive .



01195408

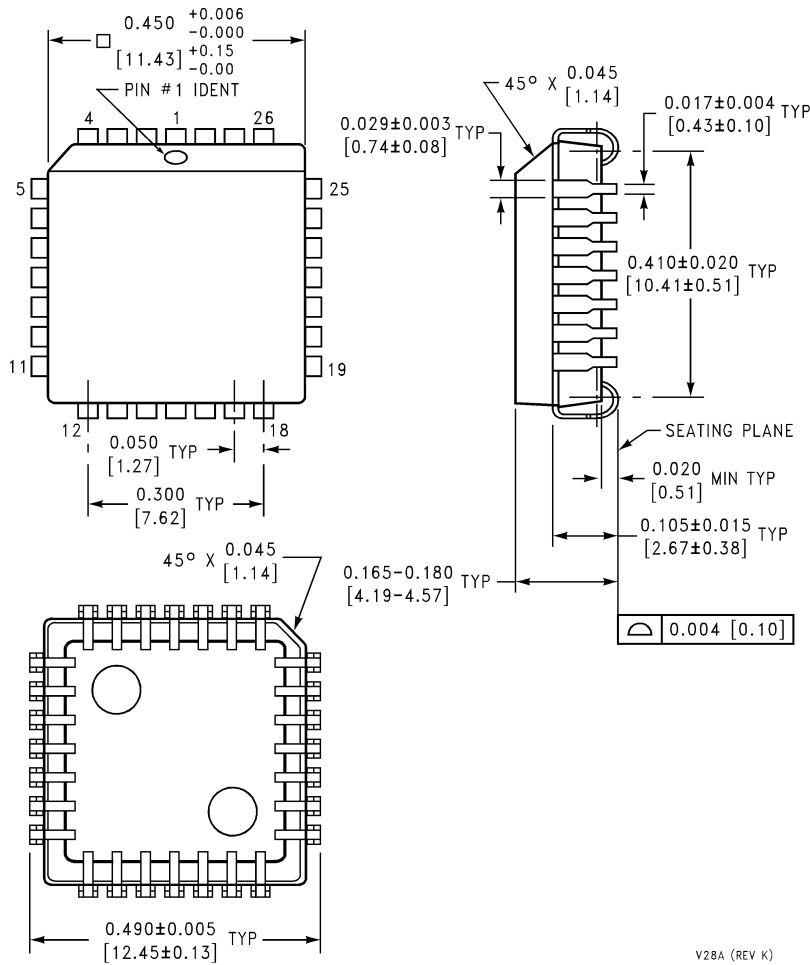
Device	V _{CC}	I/O	Output Configuration
2534	5	TTL	Inverting quad 1–4
2535	3 or 5	CMOS	Non-inverting quad 1–4
2536	3 or 5	CMOS	Inverting, Non-inverting, ÷2
2537	5	TTL	Inverting quad 1–4 with series 8Ω output resistors

Ordering Information



01195411

Physical Dimensions inches (millimeters) unless otherwise noted



**28-Lead Molded Plastic Leaded Chip Carrier
NS Package Number V28A**

V28A (REV K)

LIFE SUPPORT POLICY

NATIONAL'S PRODUCTS ARE NOT AUTHORIZED FOR USE AS CRITICAL COMPONENTS IN LIFE SUPPORT DEVICES OR SYSTEMS WITHOUT THE EXPRESS WRITTEN APPROVAL OF THE PRESIDENT AND GENERAL COUNSEL OF NATIONAL SEMICONDUCTOR CORPORATION. As used herein:

1. Life support devices or systems are devices or systems which, (a) are intended for surgical implant into the body, or (b) support or sustain life, and whose failure to perform when properly used in accordance with instructions for use provided in the labeling, can be reasonably expected to result in a significant injury to the user.
2. A critical component is any component of a life support device or system whose failure to perform can be reasonably expected to cause the failure of the life support device or system, or to affect its safety or effectiveness.



National Semiconductor
Americas Customer
Support Center
Email: new.feedback@nsc.com
Tel: 1-800-272-9959

National Semiconductor
Europe Customer Support Center
Fax: +49 (0) 180-530 85 86
Email: europe.support@nsc.com
Deutsch Tel: +49 (0) 69 9508 6208
English Tel: +44 (0) 870 24 0 2171
Français Tel: +33 (0) 1 41 91 8790

National Semiconductor
Asia Pacific Customer
Support Center
Fax: 65-6250 4466
Email: ap.support@nsc.com
Tel: 65-6254 4466

National Semiconductor
Japan Customer Support Center
Fax: 81-3-5639-7507
Email: nsj.crc@jksmt.nsc.com
Tel: 81-3-5639-7560

www.national.com